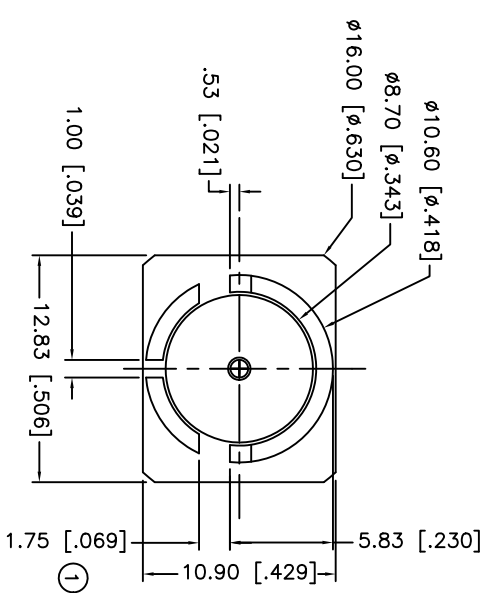
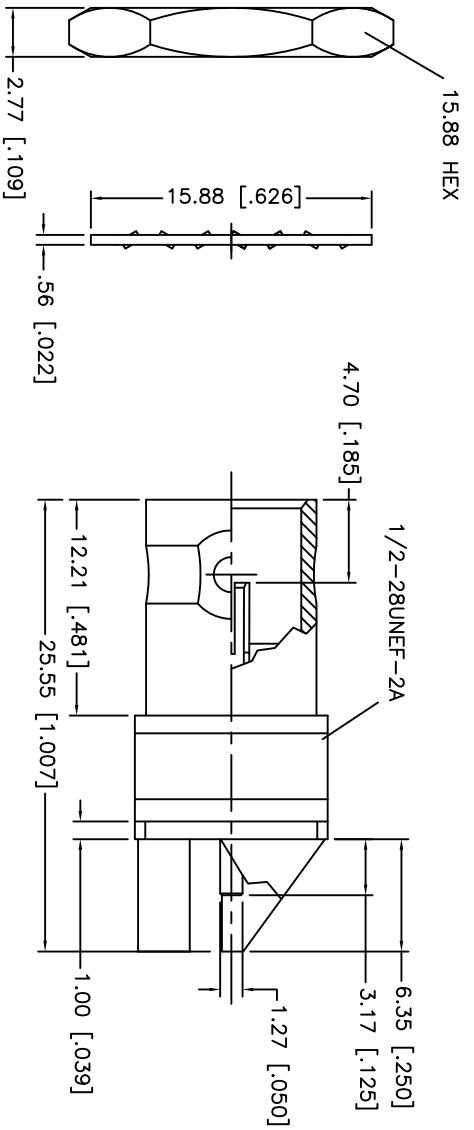
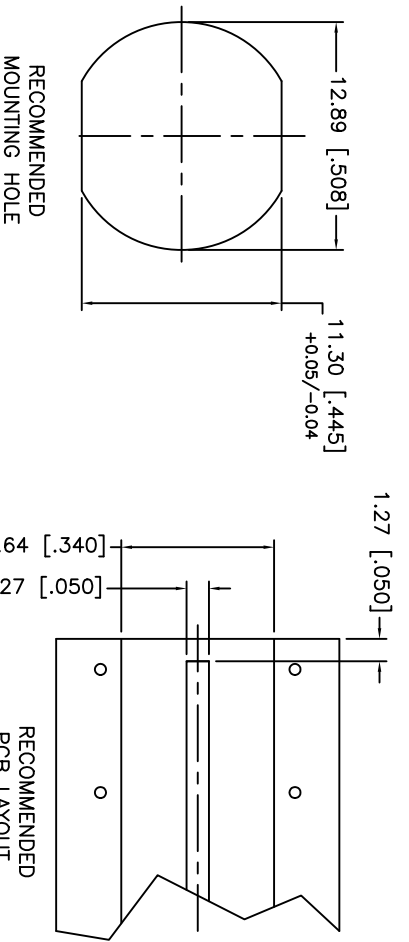


REV.	DATE	ECR NO.	DESCRIPTION
NC	08/21/07	-	INITIAL RELEASE
A	10/30/07	-	REVISE SLOT DIMENSION TO 1.65mm (1)
B	11/25/07	-	REVISE SLOT DIMENSION TO 1.75mm [.069] (1)
C	03/16/08	-	REVISE CONTACT PIN DIAMETER TO 1.27mm [.050]
D	04/21/08	-	REMOVE LOCK WASHER AND HEX NUT FROM BOM, BODY PLATING TO GOLD
E	01/26/09	-	REVISE FLANGE/P.C. BOARD SLOT ORIENTATION
F	02/25/09	-	ADD LOCK WASHER AND HEX NUT
G	05/26/09	-	LOCK WASHER WAS GOLD/BRASS; HEX NUT WAS GOLD; CONT WAS PHOS BRONZE



DESCRIPTION	MATERIAL	FINISH	QTY
1 BODY	BRASS	GOLD	1
2 INSULATOR	PTFE	NATURAL	1
3 CONTACT PIN	BeCu	GOLD	1
4 LOCK WASHER	PHOS. BRONZE	NICKEL	1
5 HEX NUT	BRASS	NICKEL	1
6			
7			
8			

UNLESS OTHERWISE SPECIFIED DIMENSIONS ARE IN INCHES AND FOR CUSTOMER REFERENCE ONLY.  
 UNLESS OTHERWISE SPECIFIED TOLERANCES FOR MILLIMETERS ARE:  
 0.5 - 8mm ± 0.20mm  
 8 - 30mm ± 0.40mm  
 30 - 120mm ± 0.50mm  
 UNLESS OTHERWISE SPECIFIED TOLERANCES FOR INCHES ARE:  
 .020 - .315 = ± 0.007"  
 .315 - 1.180 = ± 0.015"  
 1.180 - 4.724 = ± 0.020"

APPROVALS	DATE
DRAWN G.R.S.	02/25/09
CHECKED	
ISSUED	
SHEET 1 OF 1	

**Amphenol Connex**

PART DESCRIPTION: BNC EDGE LAUNCH BULKHEAD JACK, 75 Ohms

PART NO.: 112740

DWG. NO.: 112740.DWG

REV. G

SIZE A

SCALE NA